

COMEO; FEEDING SYSTEMS FOR STANDARD BROILERS

VIDEO
Roxell CoMeo, the open feeder



1
LOW PAN HEIGHT

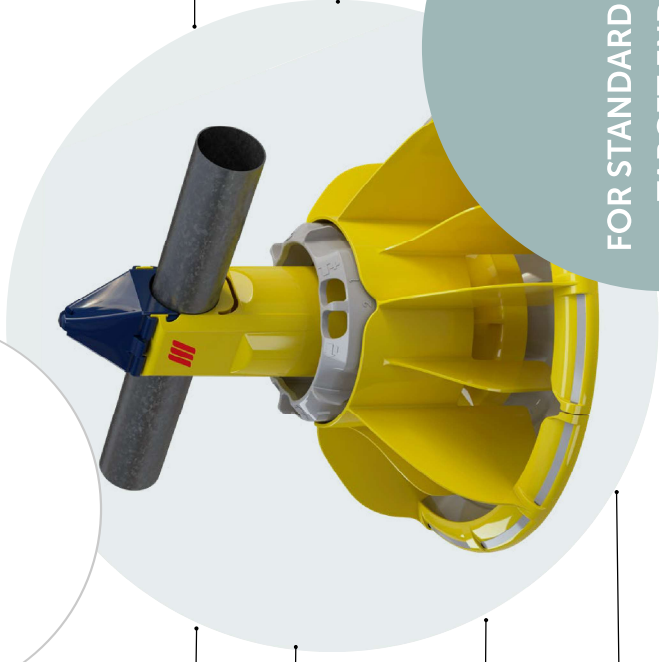
2
360° FLOODING

3
MAXIMUM
FEED INTAKE



4
MINIMIZED
FEED WASTE

5
EASY
MANAGEMENT
& CLEANING



FOR STANDARD BROILERS
= TARGET END WEIGHT
1.6 KG - 2.8 KG
3.53 LB - 6.17 LB

D.O.C.'S EAT
FROM THE
OUTSIDE OF
THE PAN

1

LOW PAN HEIGHT

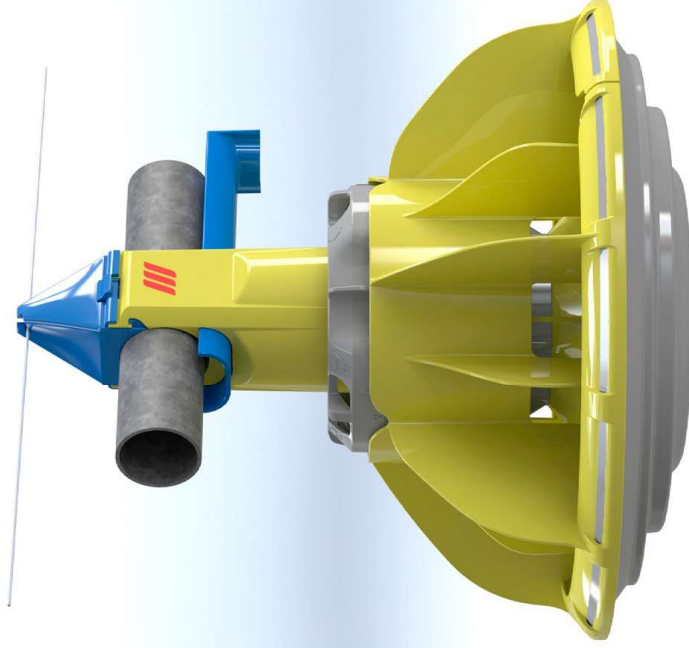


EXCELLENT START UP DAY OLD CHICKS

- / Fast access to feed from day one
- / After a few days birds already line up around the pan to eat
- / No chicks in the pan, no manure accumulation
- / Suitable on slatted floor and in broiler cages

Low pan edge for easy access to the feed

Only 60 mm – 2.36" height



COMEO
= NEW OPEN
BROILER FEEDER



OPTIONAL:
CHICK STARTER

360° FLOODING



TO KEEP FEEDER PAN FULL OF FEED



MAXIMUM FEED INTAKE



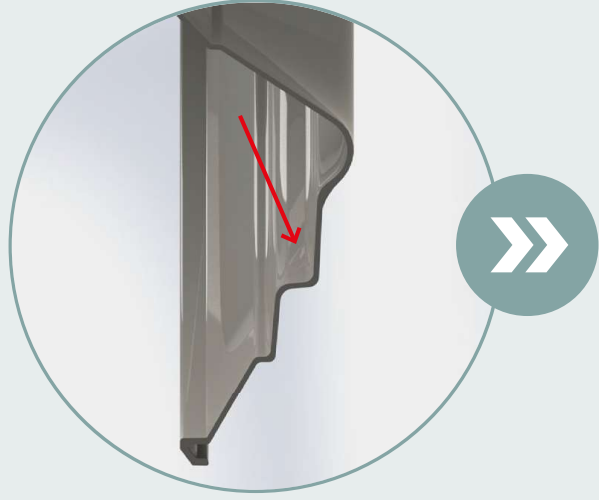
78 mm
- 3"

OPTIMAL
DISTANCE
BETWEEN CONE
AND PAN RIM

COMEO MAXIMIZES FEED INTAKE

- / an outstanding performance of each flock
- / an excellent Feed Conversion Rate (FCR)

MINIMIZED FEED WASTE

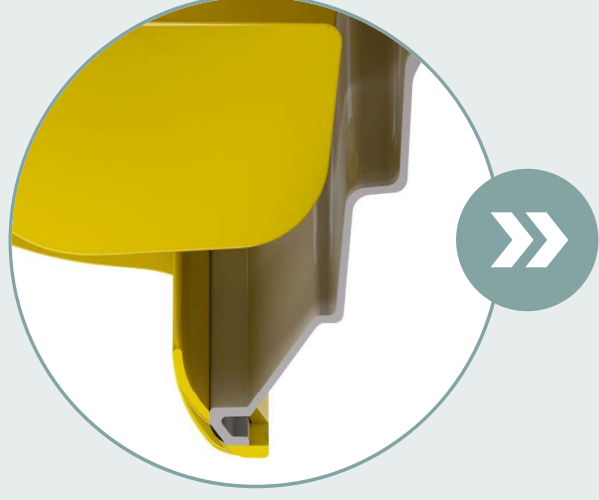


STEPPED FEEDER PAN



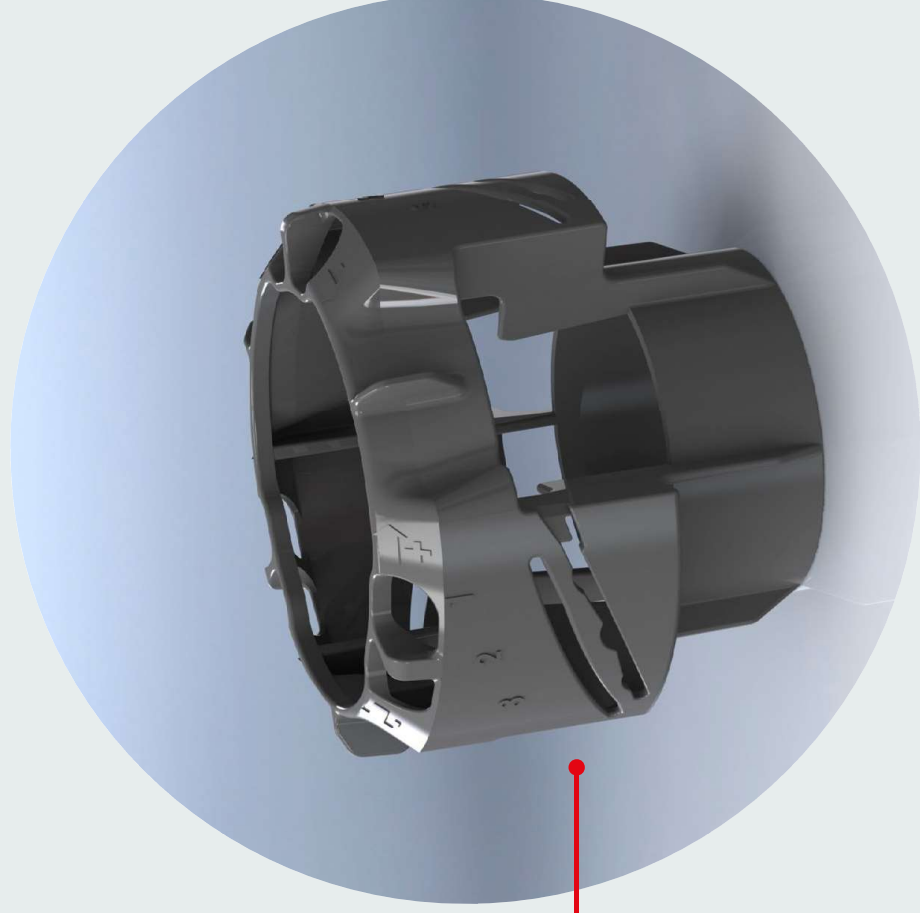
GRILL WITH FINS REDUCES
SELECTIVE PECKING

NO CHICKS IN THE PAN –
OPEN DESIGN PREVENTS
SPILLING OF FEED



ANTI-WASTE RIM

EASY MANAGEMENT & CLEANING



3 FEED LEVEL SETTINGS

EASY MANAGEMENT & CLEANING



CONTROL UNIT

- / Same feed content as other pans in the feeder line
- / Adjustable feed level
- / Activation feed distribution: both sensor and switch available
- / Intermediate control unit
- / Option: LED light in control pan to attract birds



EASY MANAGEMENT & CLEANING



UNIQUE PATENTED CLEANING FEATURE

- / easy and more thorough cleaning
- / all components are accessible for cleaning
- / also easy to clean the inside of the feed cone



STANDARD



+ OPTION CLEANING
FEATURE



EASY MANAGEMENT & CLEANING

OPTION:
HOPPER
SUPPORT



TECHNICAL SPECIFICATIONS