

DOL 99B Feed Weigher

Technical Info



1 Product Description

DOL 99B is a feed weigher with a portion size of 20kg and maximum capacity of 2,500kg/hour. The weigher is used in livestock houses to ensure accurate weighing of the feed consumption. It consists of a dust and splash proof housing with feed supply at the top and feed outlet at the bottom. The drum inside the housing is emptied by means of a gear motor as the drum is turned around. Drum and motor are suspended in two load cells.

The feed quantity is controlled and calculated by a house computer from SKOV A/S, to which DOL 99B is connected. An inspection cover at the top makes it possible to insert four 5 kg weights to be used for calibration. This is done in connection with a calibration program in the house computer from SKOV A/S.

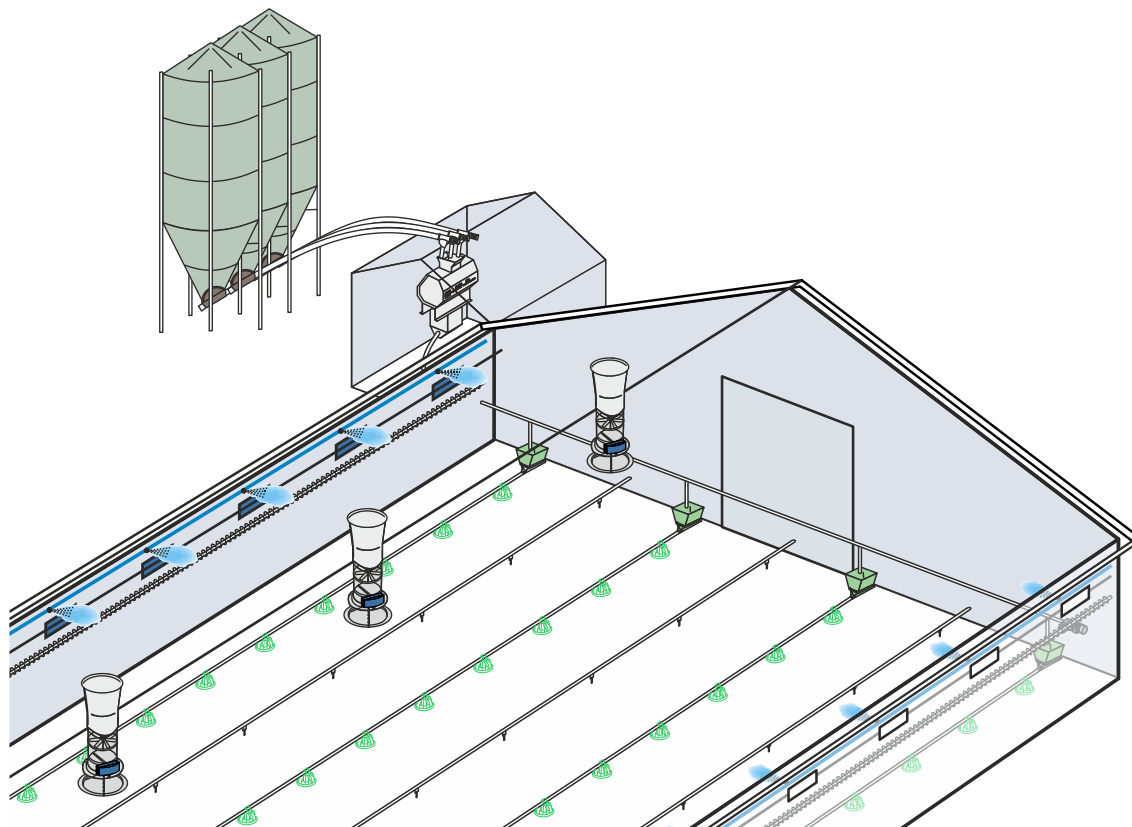


Figure 1: Principle sketch of feeding system

Transparent end plates enable inspection of the feed supply and the operation of DOL 99B.

Feed is supplied at the top of DOL 99B through an inlet funnel which can handle feed from three or five augers.

If distribution shutter is used, DOL 99B can supply feed to two feeding systems.

The distribution shutter is a power-operated shutter which distributes feed from DOL 99B to feed system 1 or 2.

Distribution shutter and inlet funnel are available as accessories.

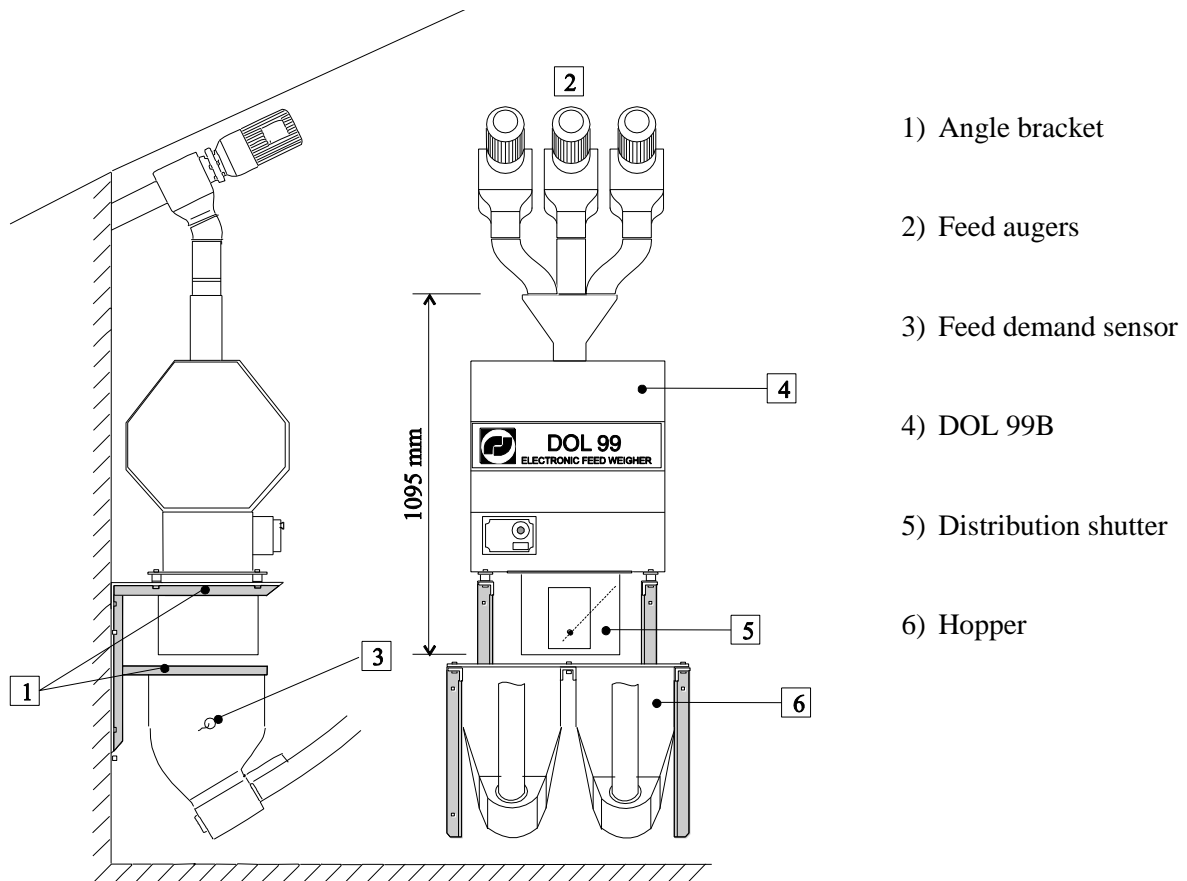


Figure 2: Mounting example for DOL 99B.

2 Product Survey

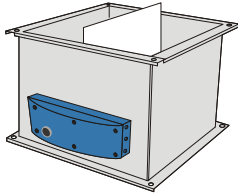
DOL 99B Feed Weigher



132603 DOL 99B basic feed weigher

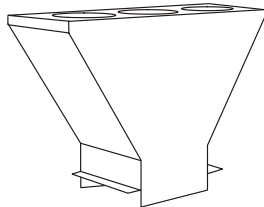
Feed weigher for accurate weighing of feed consumption in poultry houses.

The feed weigher is controlled by the production computer in which the exact required feed quantity is set. It also collects historical data.



132652 Distribution shutter for feed weigher

If power-operated distribution shutter is used, DOL 99B can supply feed to two feeding systems.

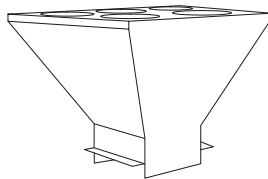


132651 Inlet funnel for feed weigher 3 comp.

Inlet funnel, three feed components.

The inlet funnel ensures that the feed is conveyed correctly into the weigher from the augers.

Ø102mm connection at the top.



132654 Inlet funnel for feed weigher 5 comp.

Inlet funnel, five feed components.

Ø102mm connection at the top.



132653 DOL 99B upgrade from DOL 99

3 Technical Data

DOL 99B Feed Weigher

Environment

Ambient temperature, operation	+10 to +45°C, +50 to +113°F
Ambient temperature, storage	-25 to +60°C, -13 to +140°F
Ambient humidity, operation	0-80% RH
Protection class	IP 55
EMC emission	EN 50081-1
EMC immunity	EN 50082-2

Mechanical Setup

Material	Housing plates and drum: Aluzinc plate Electronics: embedded in special plastic
Appropriate for	Cereals, flour, feed, loose or pelleted, granules
Portion size	10 – 20kg per weighing
Accuracy with house computer from SKOV A/S	0.50% of 20kg over min. 1 year Independent of afterrun and deposits inside the drum
Dimensions, DOL 99B	H x W x D: 625 x 500 x 670 mm
Volume, DOL 99B packaged	0.20m ³
Weight, DOL 99B	30kg

Electrical Setup

Load amplifier

Nominal voltage	20 – 30V DC
Consumption	80 – 100mA
Reference output	9.50 – 9.70V DC
Weighing signal output	1.00 – 9.70V DC at 0 – 30kg in drum
Linearity	0.03%

Electrical Setup

Gear motor

Nominal voltage	230V / 240V
Voltage range	180 - 276V
Rated frequency	50 / 60Hz
Frequency range	45 - 65Hz
Power consumption	80W
Thermal cutout	Built-in

Accessories

Inlet funnel, three feed comp.

Material	Aluzinc plate
Dimensions	H x W x D: 240 x 346 x 119mm
Weight, inlet funnel	2.3kg

Inlet funnel, five feed comp.

Material	Aluzinc plate
Dimensions	H x W x D: 404 x 389 x 119mm
Weight, inlet funnel	4.3kg



Accessories

Distribution shutter

Material	Aluzinc plate
Dimensions	H x W x D: 255 x 350 x 350mm
Weight, distribution shutter and DA 74CO	10kg

DA 74CO

Motor	24V DC
Potentiometer	10kΩ
Running time, unloaded	70 sec.
Running time, at max. load	85 sec.
Max. torque	8 Nm
Max. power consumption	0.2A at 24V DC
Protection class, cabinet	IP 54

3.1 Capacity Table

Capacity, inlet equipment [kg/hour]	Feed auger [mm]	Capacity, 1 component [kg/hour]	Capacity, 2 components [kg/hour]	Capacity, 3 components [kg/hour]
1,300	75	900	800	700
2,300	90	1,200	1,050	900
4,300	125	1,700	1,400	1,100
8,000	>125	2,000	1,600	1,300
12,000	>125	2,500	1,800	1,500

3.2 Dimensioned Sketches

All measurements are indicated in mm.

3.2.1 DOL 99B Feed Weigher

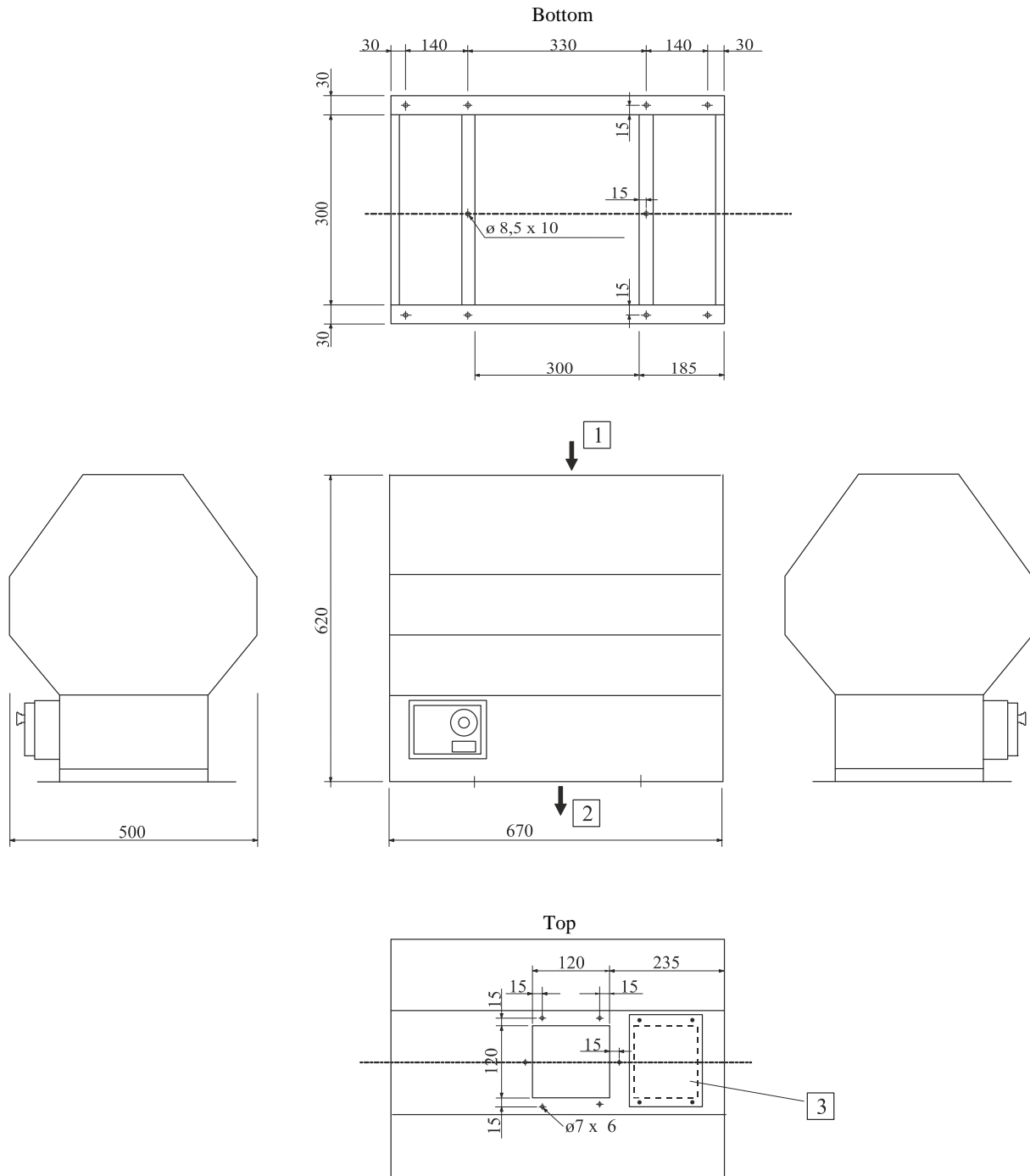


Figure 3: Dimensioned sketch DOL 99B.

- 1) Feed supply 1000 x 120 x 120mm
- 2) Feed outlet 1000 x 300 x 300mm
- 3) Inspection cover

3.2.2 Distribution Shutter

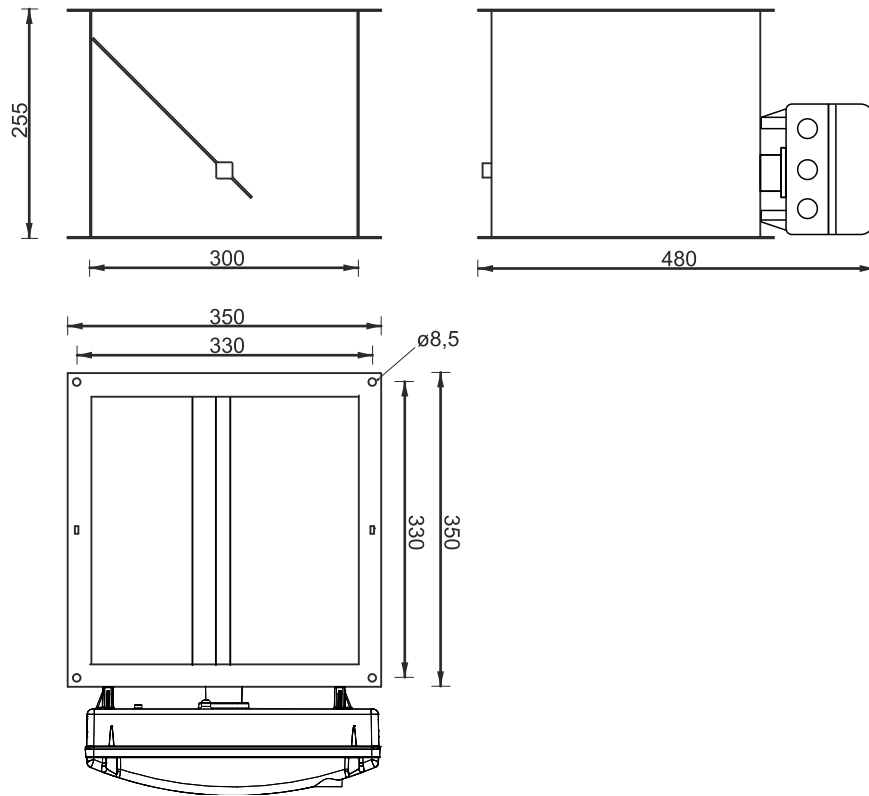


Figure 4: Dimensioned sketch – distribution shutter.

3.2.3 Inlet Funnel, Three Feed Components

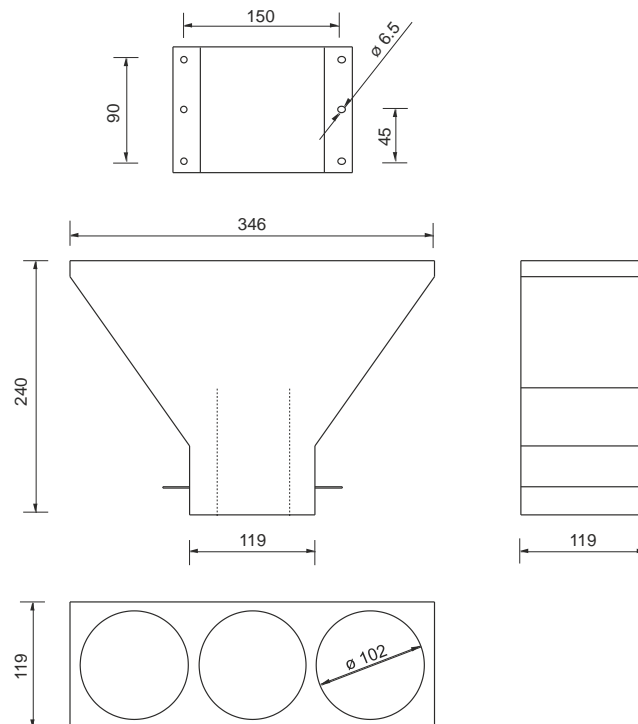


Figure 5: Dimensioned sketch, inlet funnel three feed components.

3.2.4 Inlet Funnel, Five Feed Components

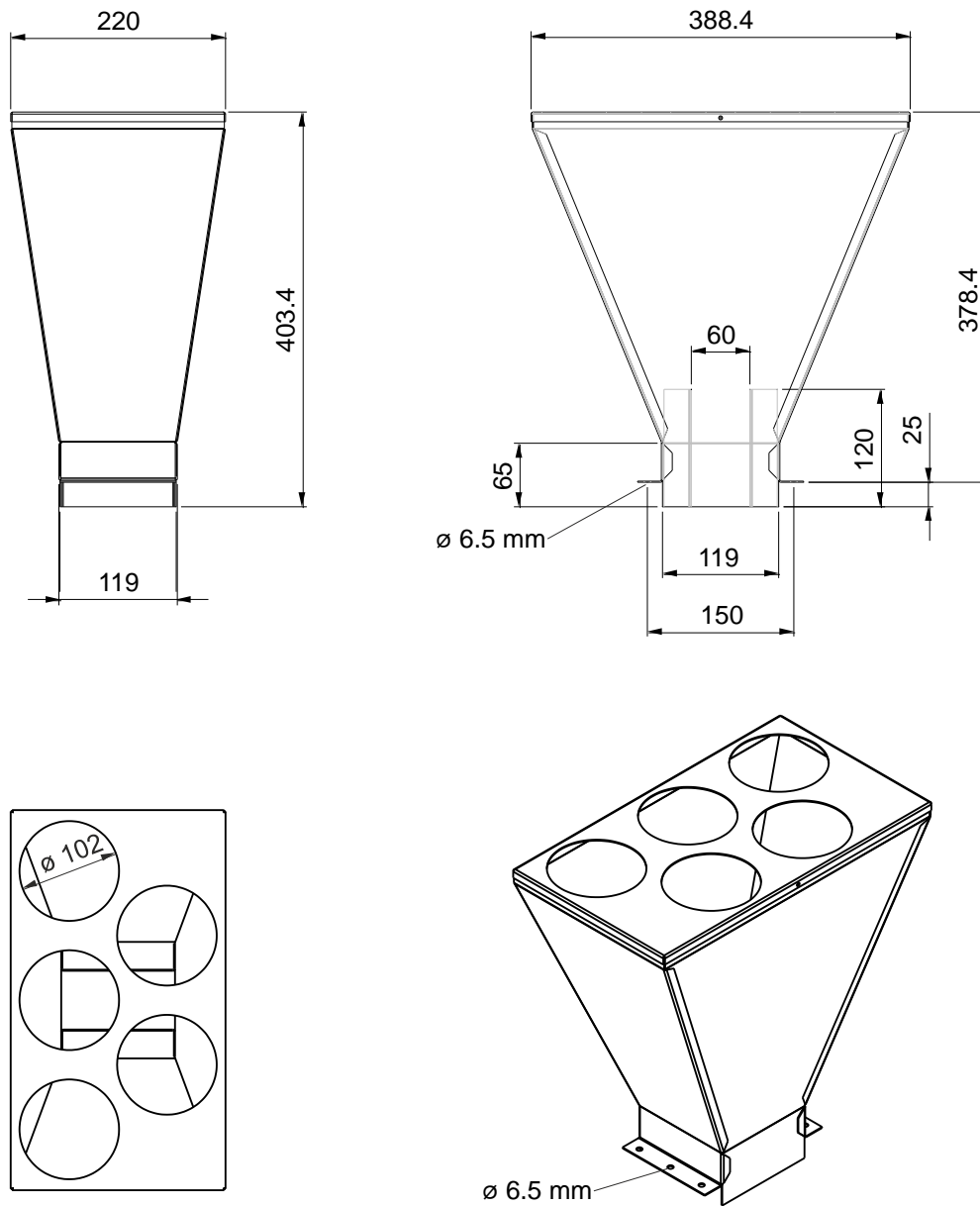


Figure 6: Dimensioned sketch, inlet funnel five feed components.

